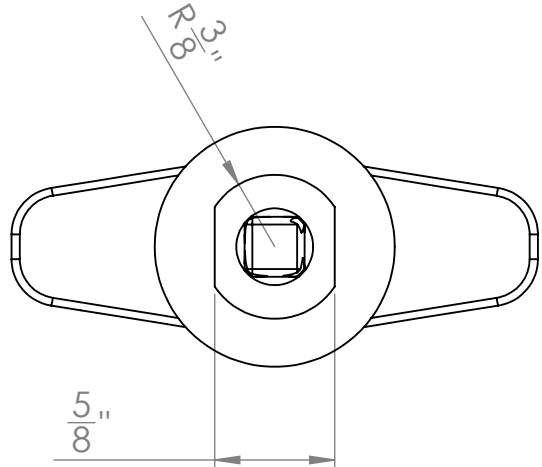
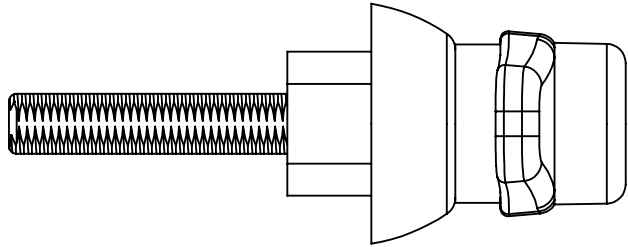
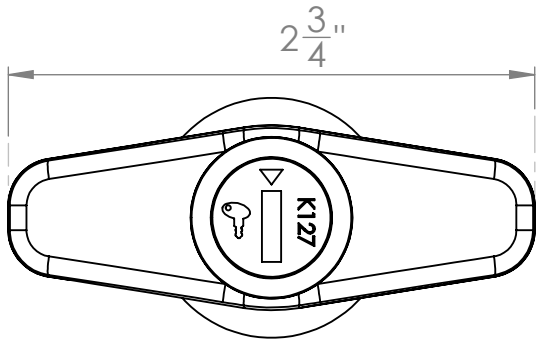
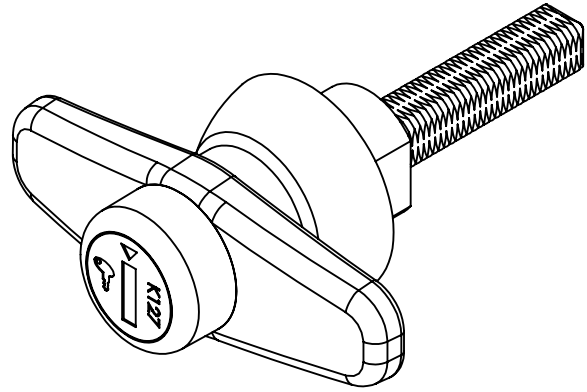
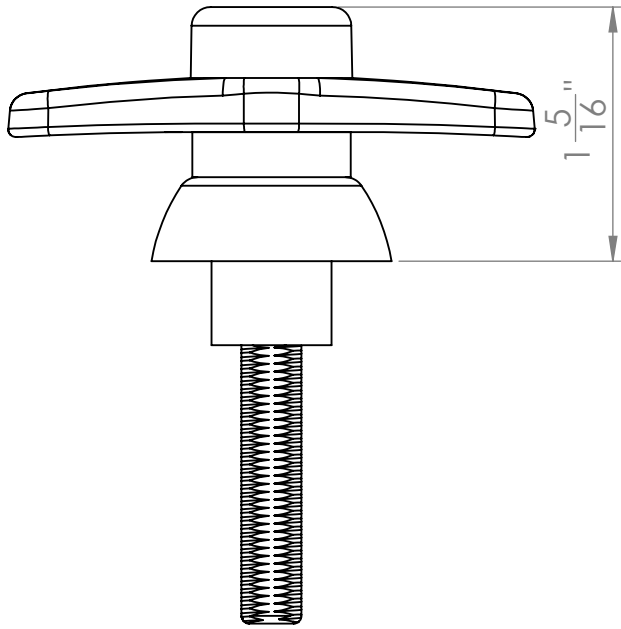


| REV. NO. | | REVISIONS | DATE | APPROVED |
|----------|------|-------------|------|----------|
| ZONE | REV. | DESCRIPTION | | |
| | | | | |
| | | | | |



PROPRIETARY AND CONFIDENTIAL
 THE INFORMATION CONTAINED IN THIS DRAWING IS THE SOLE PROPERTY OF BAUER PRODUCTS, INC. ANY REPRODUCTION IN PART OR AS A WHOLE WITHOUT THE WRITTEN PERMISSION OF BAUER PRODUCTS, INC. IS PROHIBITED.

| | | | |
|--------------------------------------|---------|-----------|------|
| UNLESS OTHERWISE SPECIFIED: | | NAME | DATE |
| DIMENSIONS ARE IN INCHES | | DRAWN | |
| TOLERANCES: | | CHECKED | |
| FRACTIONAL ± | | ENG APPR. | |
| ANGULAR: MACH ± BEND ± | | MFG APPR. | |
| TWO PLACE DECIMAL ± | | Q.A. | |
| THREE PLACE DECIMAL ± | | COMMENTS: | |
| INTERPRET GEOMETRIC TOLERANCING PER: | | | |
| MATERIAL | | | |
| FINISH | | | |
| NEXT ASSY | USED ON | | |
| APPLICATION | | | |
| DO NOT SCALE DRAWING | | | |

| | | |
|------------------------|----------|--------------|
| TITLE: | | |
| T-500 Assembly Drawing | | |
| SIZE | DWG. NO. | REV |
| A | | |
| SCALE: 1:1 | WEIGHT: | SHEET 1 OF 1 |