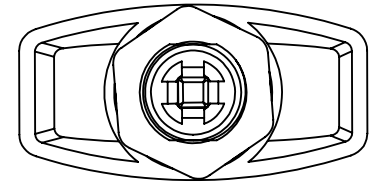
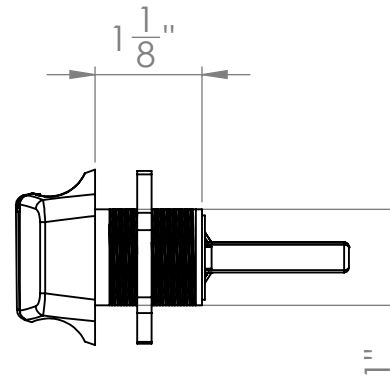
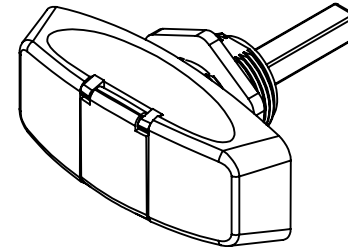
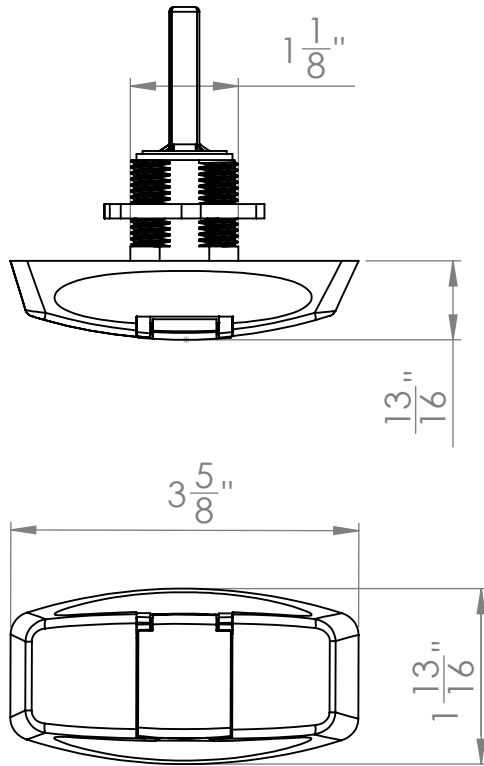


| | | REVISIONS | | | |
|------|------|-------------|------|----------|--|
| ZONE | REV. | DESCRIPTION | DATE | APPROVED | |
| | | | | | |



Bauer Products, Inc.

PROPRIETARY AND CONFIDENTIAL

THE INFORMATION CONTAINED IN THIS DRAWING IS THE SOLE PROPERTY OF BAUER PRODUCTS, INC. ANY REPRODUCTION IN PART OR AS A WHOLE WITHOUT THE WRITTEN PERMISSION OF BAUER PRODUCTS, INC. IS PROHIBITED.

| | | UNLESS OTHERWISE SPECIFIED: | NAME | DATE |
|-------------|---------|---|-----------|------|
| | | DIMENSIONS ARE IN INCHES TOLERANCES: FRACTIONAL \pm ANGULAR: MACH \pm BEND \pm TWO PLACE DECIMAL \pm THREE PLACE DECIMAL \pm | DRAWN | |
| | | INTERPRET GEOMETRIC TOLERANCING PER: | CHECKED | |
| | | MATERIAL | ENG APPR. | |
| | | FINISH | MFG APPR. | |
| | | | Q.A. | |
| | | | COMMENTS: | |
| NEXT ASSY | USED ON | | | |
| APPLICATION | | DO NOT SCALE DRAWING | | |

| | | |
|----------------------|----------|--------------|
| TITLE: | | |
| SLH Assembly Drawing | | |
| SIZE A | DWG. NO. | REV |
| SCALE: 1:2 | WEIGHT: | SHEET 1 OF 1 |