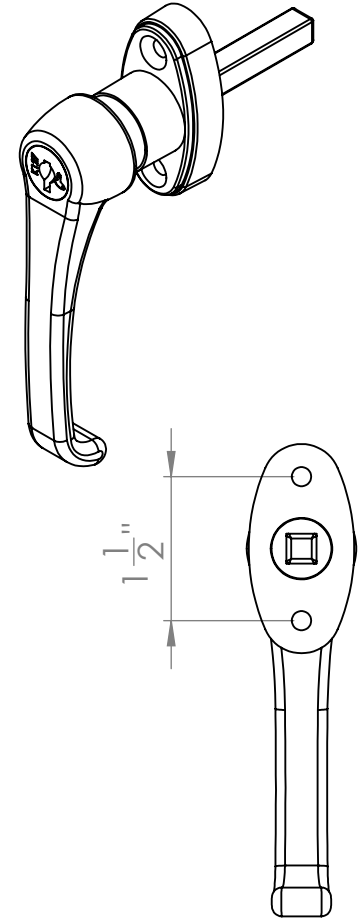
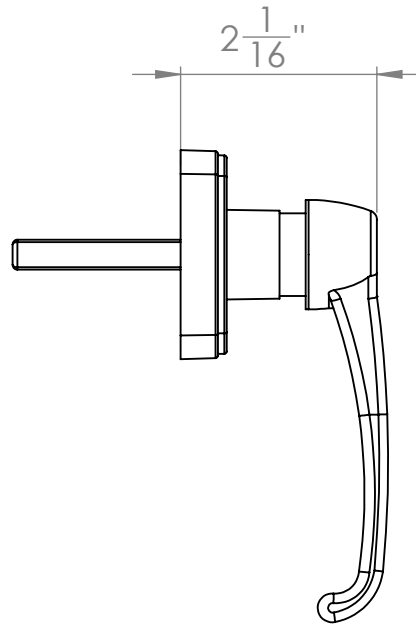
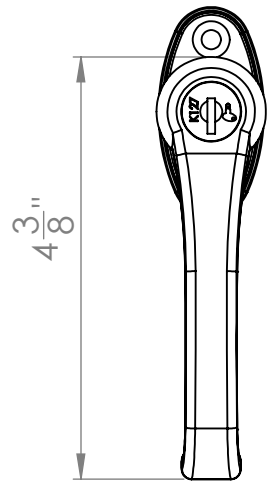
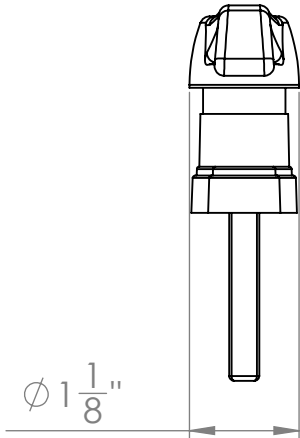


| | | REVISIONS | | | |
|------|------|-------------|------|----------|--|
| ZONE | REV. | DESCRIPTION | DATE | APPROVED | |
| | | | | | |



PROPRIETARY AND CONFIDENTIAL
 THE INFORMATION CONTAINED IN THIS DRAWING IS THE SOLE PROPERTY OF BAUER PRODUCTS, INC. ANY REPRODUCTION IN PART OR AS A WHOLE WITHOUT THE WRITTEN PERMISSION OF BAUER PRODUCTS, INC. IS PROHIBITED.

| | | | | |
|-------------|---------|--------------------------------------|-----------|------|
| | | UNLESS OTHERWISE SPECIFIED: | NAME | DATE |
| | | DIMENSIONS ARE IN INCHES | DRAWN | |
| | | TOLERANCES: | CHECKED | |
| | | FRACTIONAL \pm | ENG APPR. | |
| | | ANGULAR: MACH \pm BEND \pm | MFG APPR. | |
| | | TWO PLACE DECIMAL \pm | Q.A. | |
| | | THREE PLACE DECIMAL \pm | COMMENTS: | |
| | | INTERPRET GEOMETRIC TOLERANCING PER: | | |
| | | MATERIAL | | |
| NEXT ASSY | USED ON | FINISH | | |
| APPLICATION | | DO NOT SCALE DRAWING | | |

| | | |
|------------------------|----------|--------------|
| TITLE: | | |
| L-604 Assembly Drawing | | |
| SIZE | DWG. NO. | REV |
| A | | |
| SCALE: 1:2 | WEIGHT: | SHEET 1 OF 1 |