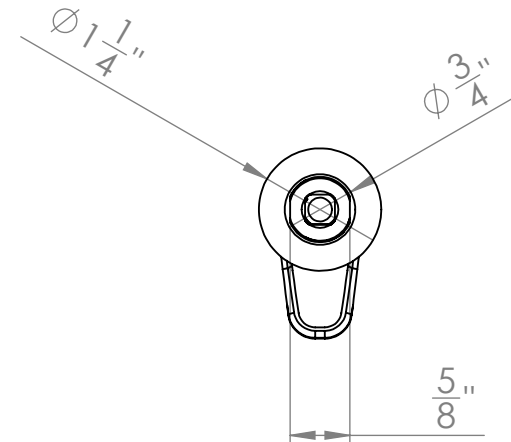
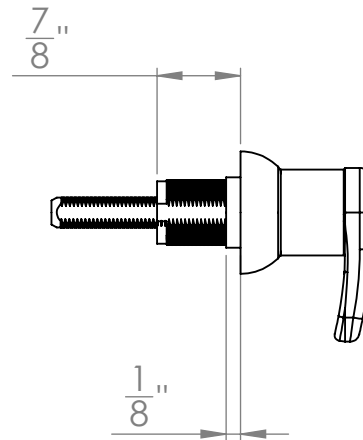
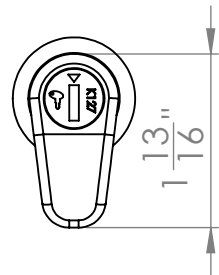
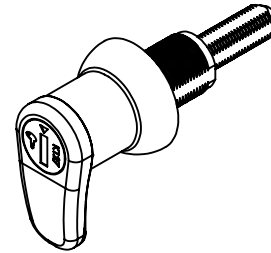
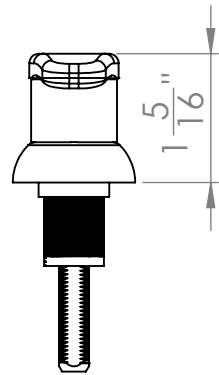


REVISIONS		DATE	APPROVED
ZONE	REV.	DESCRIPTION	



**Bauer Products, Inc.**

**PROPRIETARY AND CONFIDENTIAL**

THE INFORMATION CONTAINED IN THIS DRAWING IS THE SOLE PROPERTY OF BAUER PRODUCTS, INC. ANY REPRODUCTION IN PART OR AS A WHOLE WITHOUT THE WRITTEN PERMISSION OF BAUER PRODUCTS, INC. IS PROHIBITED.

		UNLESS OTHERWISE SPECIFIED:	NAME	DATE	TITLE:  L-502 Assembly Drawing	
		DIMENSIONS ARE IN INCHES	DRAWN			
		TOLERANCES: FRACTIONAL ± ANGULAR: MACH ± BEND ± TWO PLACE DECIMAL ± THREE PLACE DECIMAL ±	CHECKED			
		INTERPRET GEOMETRIC TOLERANCING PER:	ENG APPR.			
		MATERIAL	MFG APPR.		SIZE	DWG. NO.
		FINISH	Q.A.		<b>A</b>	
NEXT ASSY	USED ON	COMMENTS:			SCALE: 1:2	WEIGHT:
APPLICATION		DO NOT SCALE DRAWING			SHEET 1 OF 1	

5

4

3

2

1