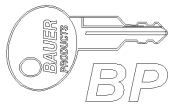
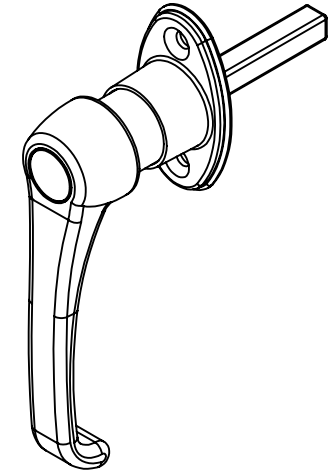
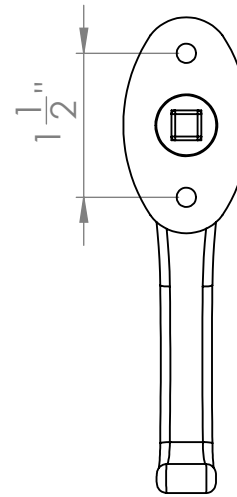
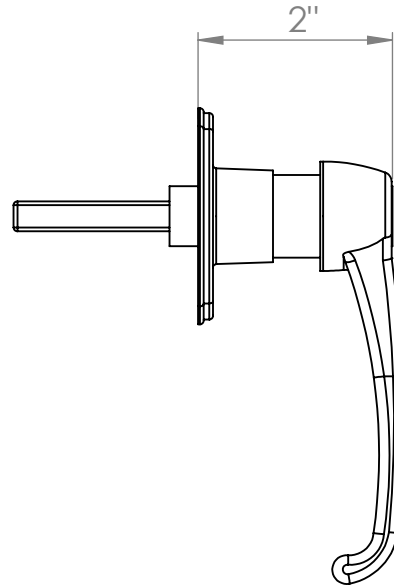
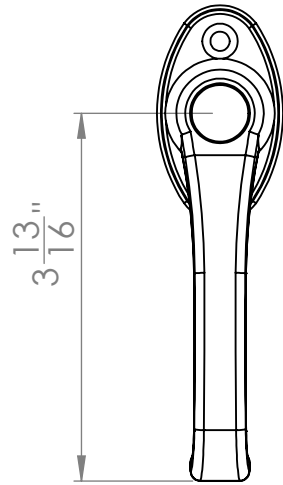
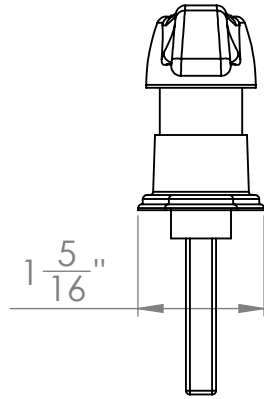


		REVISIONS			
ZONE	REV.	DESCRIPTION	DATE	APPROVED	



**Bauer Products, Inc.**

**PROPRIETARY AND CONFIDENTIAL**

THE INFORMATION CONTAINED IN THIS DRAWING IS THE SOLE PROPERTY OF BAUER PRODUCTS, INC. ANY REPRODUCTION IN PART OR AS A WHOLE WITHOUT THE WRITTEN PERMISSION OF BAUER PRODUCTS, INC. IS PROHIBITED.

		UNLESS OTHERWISE SPECIFIED:	NAME	DATE	TITLE:  L-205 Assembly Drawing
		DIMENSIONS ARE IN INCHES TOLERANCES: FRACTIONAL ± ANGULAR: MACH ± BEND ± TWO PLACE DECIMAL ± THREE PLACE DECIMAL ±	DRAWN		
		INTERPRET GEOMETRIC TOLERANCING PER:	CHECKED		
		MATERIAL	ENG APPR.		
		FINISH	MFG APPR.		SIZE DWG. NO.
NEXT ASSY	USED ON		Q.A.		REV
APPLICATION		DO NOT SCALE DRAWING	COMMENTS:		SCALE: 1:2 WEIGHT: SHEET 1 OF 1

5

4

3

2

1