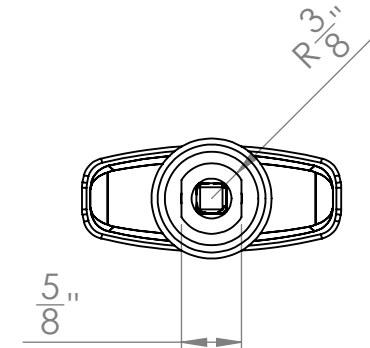
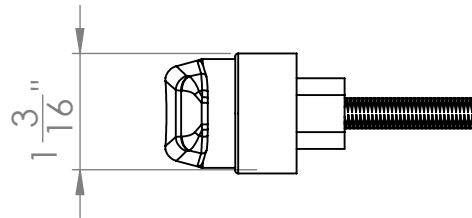
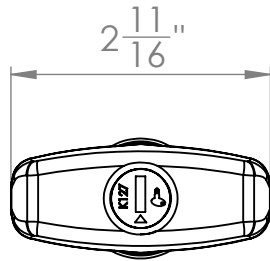
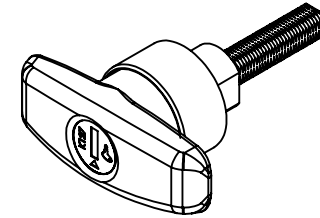
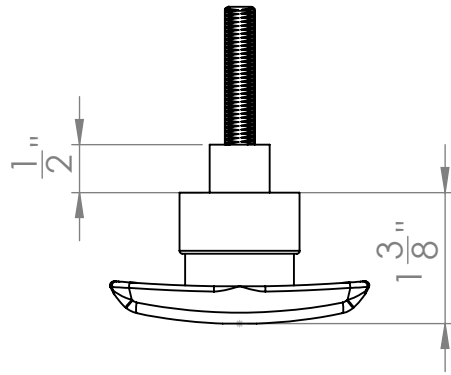


| | | REVISIONS | | | |
|------|------|-------------|------|----------|--|
| ZONE | REV. | DESCRIPTION | DATE | APPROVED | |
| | | | | | |



Bauer Products, Inc.

PROPRIETARY AND CONFIDENTIAL

THE INFORMATION CONTAINED IN THIS DRAWING IS THE SOLE PROPERTY OF BAUER PRODUCTS, INC. ANY REPRODUCTION IN PART OR AS A WHOLE WITHOUT THE WRITTEN PERMISSION OF BAUER PRODUCTS, INC. IS PROHIBITED.

| | | | | | |
|-------------|---------|---|-----------|------|-----------------------------------|
| | | UNLESS OTHERWISE SPECIFIED: | NAME | DATE | |
| | | DIMENSIONS ARE IN INCHES TOLERANCES: FRACTIONAL ± ANGULAR: MACH ± BEND ± TWO PLACE DECIMAL ± THREE PLACE DECIMAL ± | DRAWN | | |
| | | INTERPRET GEOMETRIC TOLERANCING PER: | CHECKED | | |
| | | MATERIAL | ENG APPR. | | |
| | | FINISH | MFG APPR. | | |
| | | | Q.A. | | |
| | | | COMMENTS: | | |
| NEXT ASSY | USED ON | | | | TITLE: HT-505 Assembly Drawing |
| APPLICATION | | DO NOT SCALE DRAWING | | | SIZE DWG. NO. REV |
| | | | | | A |
| | | | | | SCALE: 1:2 WEIGHT: SHEET 1 OF 1 |

5

4

3

2

1