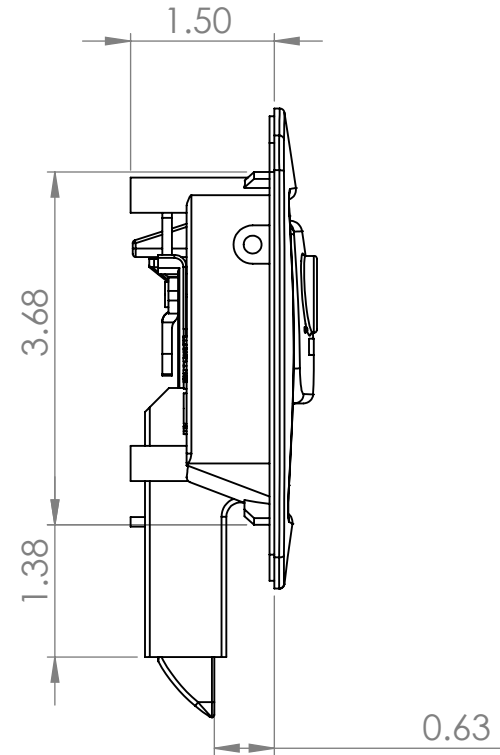
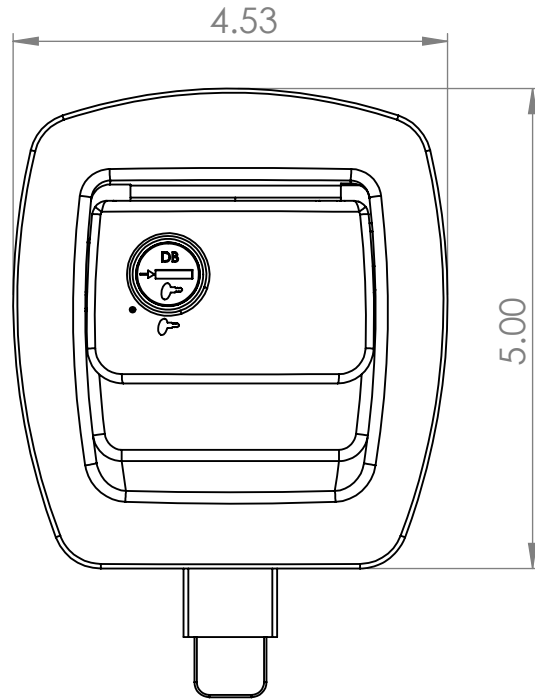
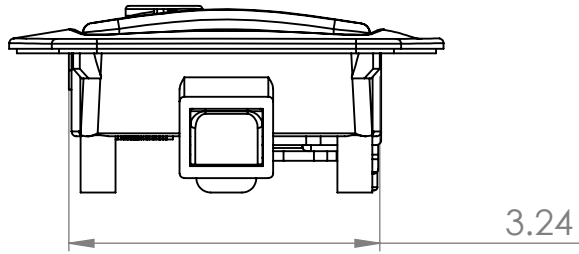


		REVISIONS			
ZONE	REV.	DESCRIPTION	DATE	APPROVED	



Bauer Products, Inc.

PROPRIETARY AND CONFIDENTIAL

THE INFORMATION CONTAINED IN THIS DRAWING IS THE SOLE PROPERTY OF BAUER PRODUCTS, INC. ANY REPRODUCTION IN PART OR AS A WHOLE WITHOUT THE WRITTEN PERMISSION OF BAUER PRODUCTS, INC. IS PROHIBITED.

		UNLESS OTHERWISE SPECIFIED:		NAME	DATE	
		DIMENSIONS ARE IN INCHES				TITLE: BP-20 Assembly 23 Nov 15 Drawing
		TOLERANCES:				
		FRACTIONAL ±		DRAWN		
		ANGULAR: MACH ± BEND ±		CHECKED		
		TWO PLACE DECIMAL ±		ENG APPR.		
		THREE PLACE DECIMAL ±		MFG APPR.		
		INTERPRET GEOMETRIC TOLERANCING PER:		Q.A.		
		MATERIAL		COMMENTS:		
		FINISH				SIZE DWG. NO. REV
NEXT ASSY	USED ON					A
APPLICATION		DO NOT SCALE DRAWING				SCALE: 1:2 WEIGHT: SHEET 1 OF 1

5

4

3

2

1