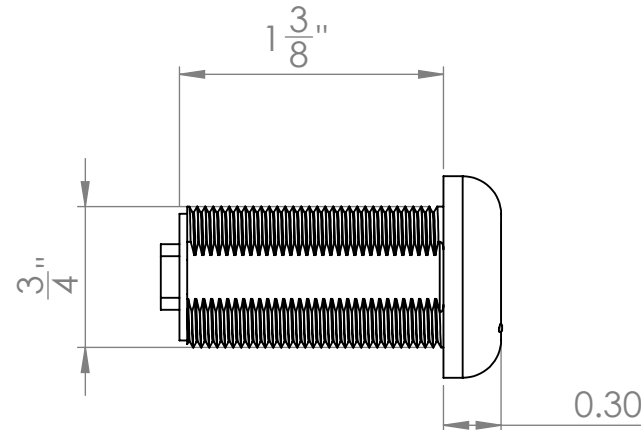
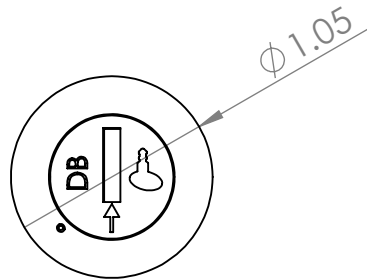
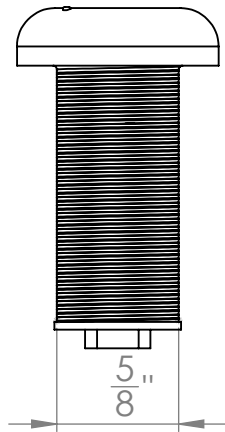


		REVISIONS			
ZONE	REV.	DESCRIPTION	DATE	APPROVED	



Bauer Products, Inc.

PROPRIETARY AND CONFIDENTIAL

THE INFORMATION CONTAINED IN THIS DRAWING IS THE SOLE PROPERTY OF BAUER PRODUCTS, INC. ANY REPRODUCTION IN PART OR AS A WHOLE WITHOUT THE WRITTEN PERMISSION OF BAUER PRODUCTS, INC. IS PROHIBITED.

		UNLESS OTHERWISE SPECIFIED:	NAME	DATE		
		DIMENSIONS ARE IN INCHES	DRAWN		TITLE: 1.375 SCI Cam Lock Assembly Drawing	
		TOLERANCES:	CHECKED			
		FRACTIONAL ±	ENG APPR.			
		ANGULAR: MACH ± BEND ±	MFG APPR.			
		TWO PLACE DECIMAL ±	Q.A.		SIZE	DWG. NO.
		THREE PLACE DECIMAL ±	COMMENTS:		A	
		INTERPRET GEOMETRIC TOLERANCING PER:			SCALE: 1:1	WEIGHT:
		MATERIAL				SHEET 1 OF 1
		FINISH				
NEXT ASSY	USED ON	APPLICATION				
		DO NOT SCALE DRAWING				